



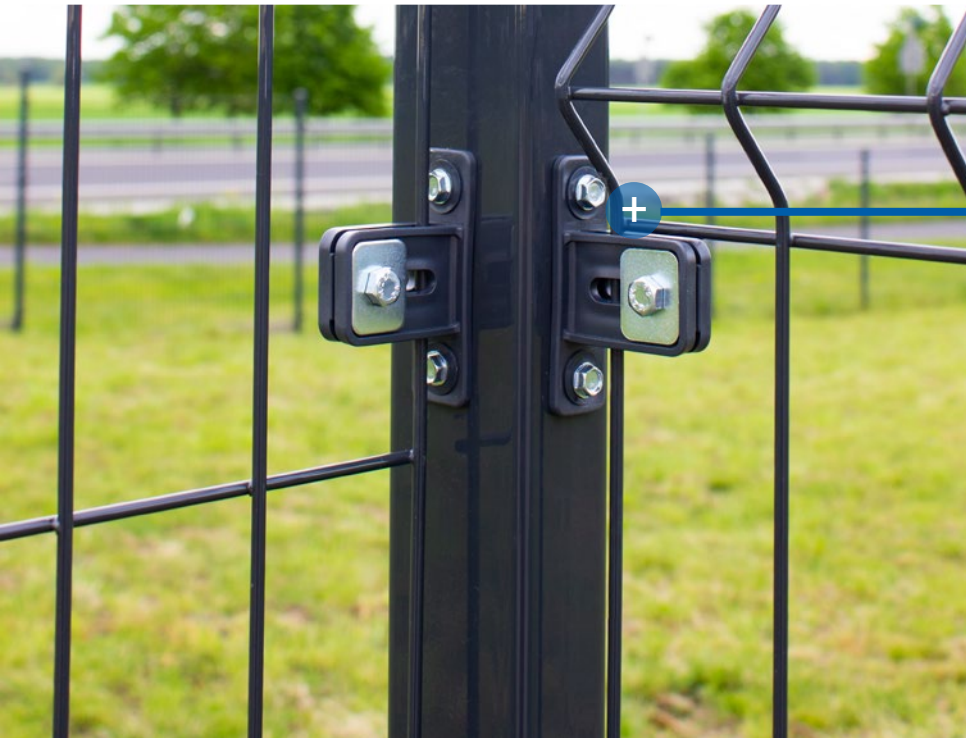
# Tulplast®



INDUSTRIAL  
DESIGN

## PLASTIC UNIVERSAL GRIP

for fixing of fencing panels 2d  
6/5/6 and 3d Ø4, Ø5.



Grip mounted on  
initial post, end post  
and corner post.



## Problem-free installation

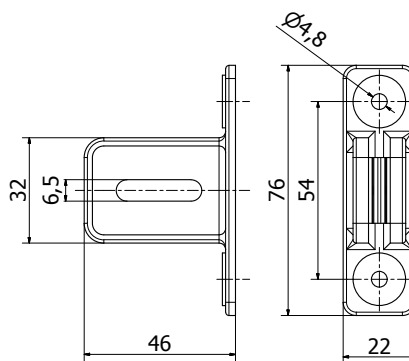
Fixing of fencing panel with wire  $\varnothing 4, \varnothing 5$ , without using plastic pad for panel clamp.



## Installation set

The product includes complete set of bolts, washers and installation screws.

## Plastic universal grip.




Self-drilling screw  
4,8x19 (2 pcs.)

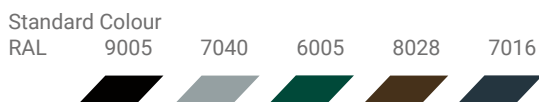
Hex bolt M6x20

Rectangular  
washer (2 pcs.)

Nut M6

| ART.NO. | TYPE       |
|---------|------------|
| 3557    | <b>UUT</b> |

 Material: Polyethylene.



### Properties

- resistance to mechanical damages,
- high resistance to weather conditions (UV radiation, frost resistance),
- simple and quick installation,
- consistent appearance of universal grip with plastic clamp and fencing post,
- savings,
- no scratches during transportation and installation,
- no corrosion centres.



SCAN AND SEE  
Other accessories for installation of  
fencing panels.

Tulplast Socha Sp. J.

ul. Wiosenna 27, 62-021 Paczkowo

tel. +48 61 815 70 16, +48 698 107 418

[order@tulplast.pl](mailto:order@tulplast.pl)

[paulinastangierska@tulplast.pl](mailto:paulinastangierska@tulplast.pl)

[www.tulplast.pl](http://www.tulplast.pl)